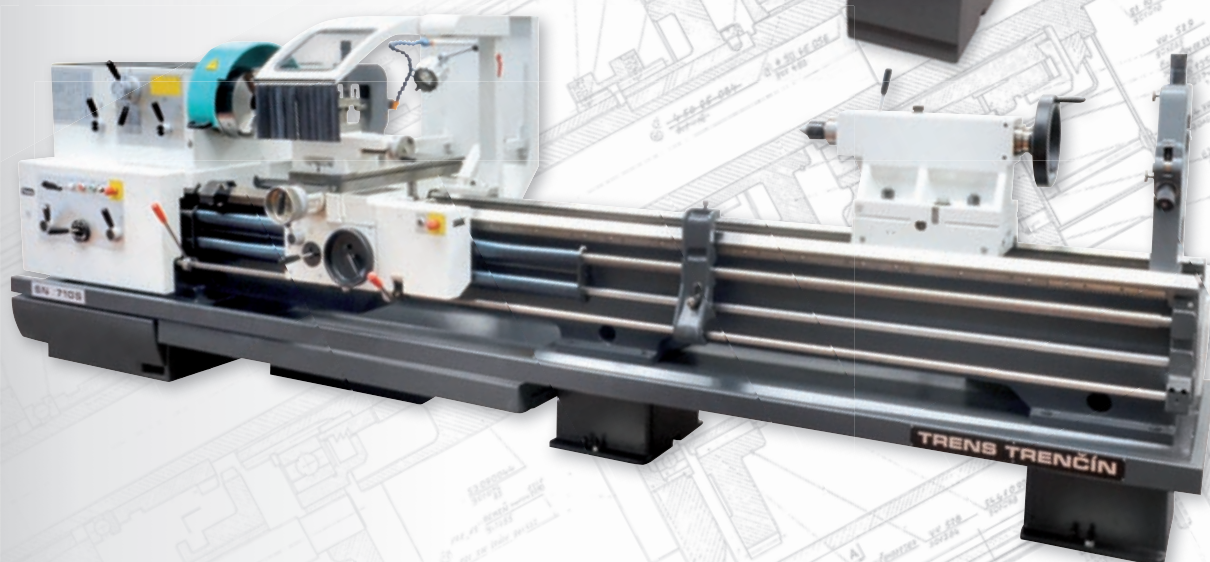
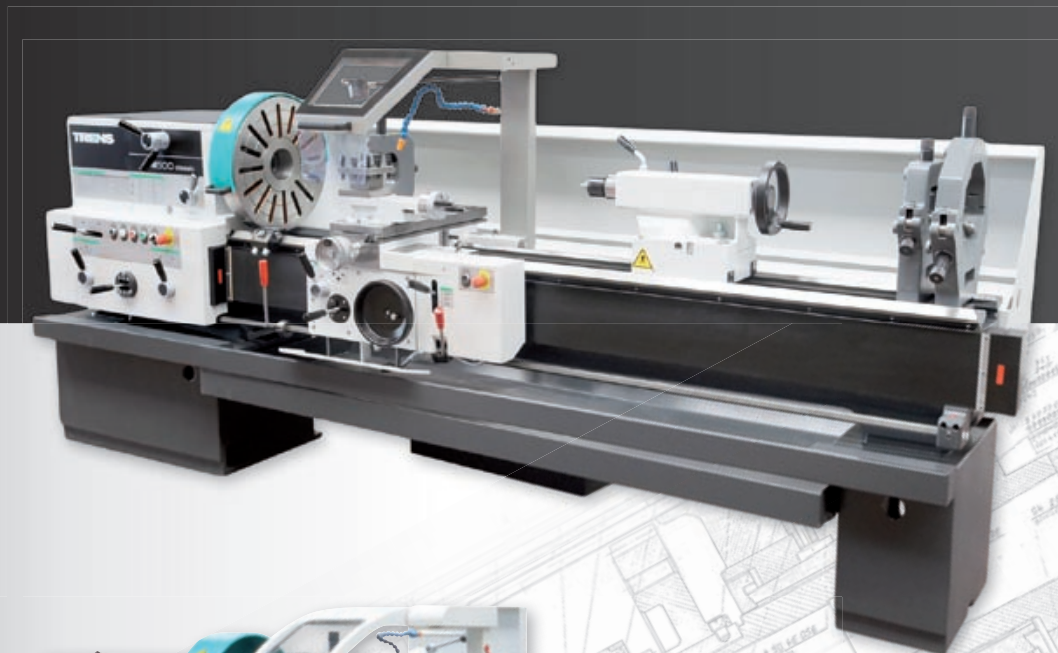


TRENS

Universal
center lathes

SN 500 > SN 710

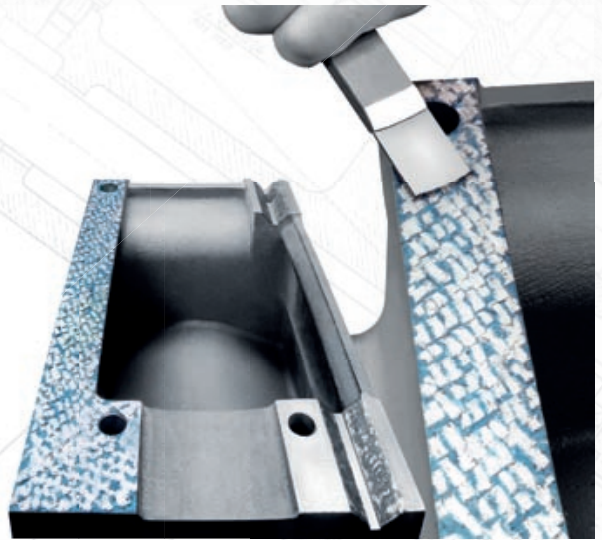


> Universal center lathes are the most popular products in the portfolio of TRENS SK, a.s. Since half of the twentieth century they have been sold under the brand TOS Trencin, currently TRENS. Thanks to consistent high standards and sustained development TRENS machines fulfill the most demanding customer requirements a proof of which is more than 100 000 lathes sold throughout the world.

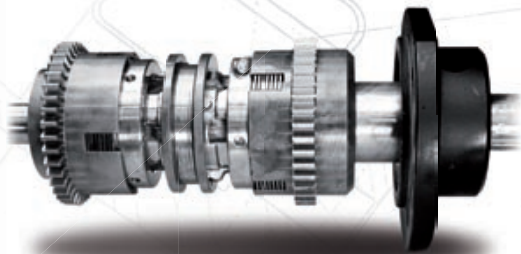


➤ MAIN ADVANTAGES

- Simple and ergonomic control
- **High turning precision**
- Long lifetime
- **Low operating costs**
- Possibility to cut non-standard threads
- **Easy maintenance**
- Possibility to cut various types of threads with wide range of pitches
- **One-tooth clutch – comfortable thread cutting (SN 500)**
- Wide range of optional accessories – digital read-outs, quick change tool posts, steady and follow rests, rolling contact bearings for steadies, micrometric stops, taper turning attachments, faceplates and chucks



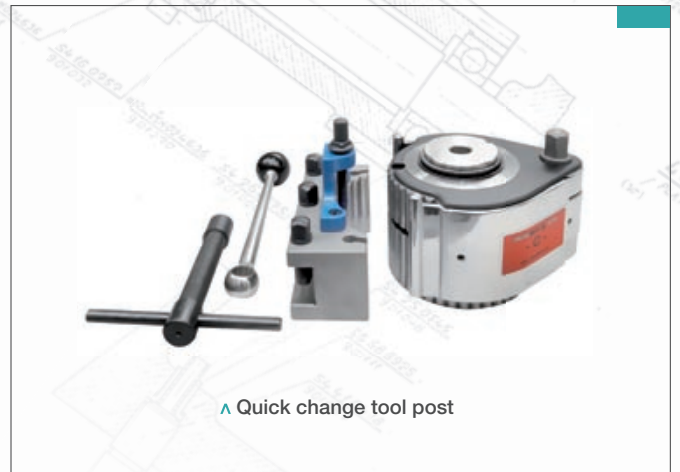
▲ Hand scraping of important parts – high precision during machining



< Spindle drive through clutches and brake – smooth start and stop of spindle movement

➤ OPTIONAL EXECUTIONS

- Quick change tool post
- **Folding handles**
- Different voltages and frequencies
- **End switch for front chip guard (SN 500)**
- Inch version
- **CAMLOCK spindle nose**
- Spindle bore 105 mm
- **Spindle bore 130 mm (SN 710)**



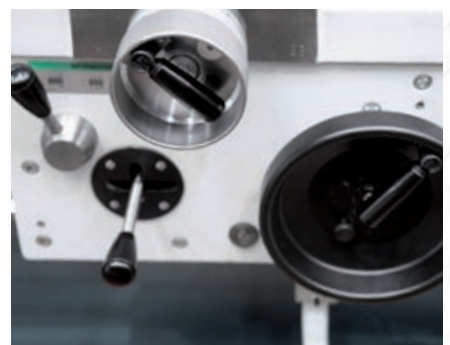
▲ Quick change tool post



▲ CAMLOCK spindle nose



▲ One-tooth clutch



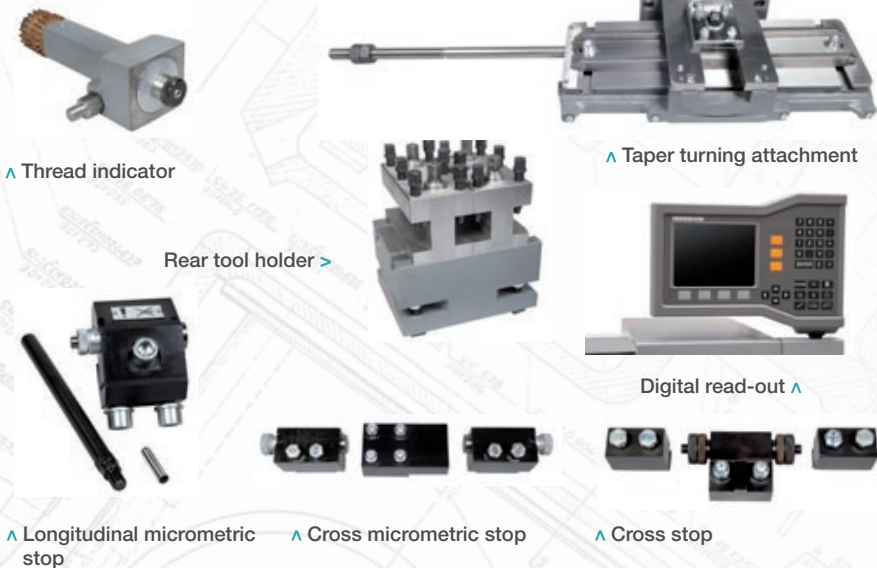
▲ Folding handles

OPTIONAL ACCESSORIES

CLAMPING DEVICES



STEADY RESTS AND ROLLING CONTACT BEARINGS



		SN 500	SN 710
4 jaw face-plate \varnothing	mm	500	670/710
Plain face-plate \varnothing	mm	500	710
Universal 3-4 jaw chuck \varnothing	mm	250, 315	315, 400
Steady rest \varnothing	mm	10–115	12–180
Follow rest \varnothing	mm	10–115	12–180
Large steady rest I. \varnothing	mm	110–250	180–320
Large steady rest II. \varnothing	mm	—	282–405

- Digital read-out
- **Rolling contact bearings**
- Rear tool holder
- **Taper turning attachment**
- Micrometric longitudinal stop/cross stop

- **Cross stop**
- Thread indicator
- **Drive plate**
- Guards for faceplates
- **Flange for chuck**

- Anchoring material
- **Live centre**
- Transporting device
- **Grease gun**

TECHNICAL PARAMETRES

MACHINE TYPE	Unit	SN 500	SN 710
Working range			
Max. swing over bed	mm	505	720
Max. swing over cross slide	mm	270	430
Max. swing in bed gap	mm	700	960
Bed gap width	mm	230	300
Distance between centers	mm	1000, 1500, 2000	1500, 2000, 3000, 4000
Height of centers	mm	250	355
Bed width	mm	340	450
Main spindle			
Spindle nose BAJONET DIN (ISO702-III)		B8/B11*	B8/B11*
Spindle nose CAMLOCK (ISO702-II)		D8/D11*	D8/D11*
Internal spindle taper		METRIC 90/115*	METRICKÝ 90/115*/-*
Spindle bore	mm	77/105*	77/105*/130*
Spindle diameter in front bearing	mm	110/140*	110/140*/170*
Min. spindle speed	min ⁻¹	12,5	10/12,5*
Max. spindle speed	min ⁻¹	2000/1600*	1600/1250*
Number of gears		18	18
Spindle drive			
Main motor output	kW	7,5	7,5/11*
Max. torque	Nm	1450	1650/2000*
Limit speed for max. torque	min ⁻¹	50	40
Carriages			
X-axis			
Working range of cross feed	mm.rev. ⁻¹	0,025–3,2	0,0195–2,4
Cross rapid traverse	mm.min ⁻¹	1500	1500
Working travel of cross feed	mm	300	400
Tool slide working travel	mm	140	180
Z-axis			
Working range of longitudinal feed	mm.rev. ⁻¹	0,05–6,4	0,039–4,8
Longitudinal rapid traverse	mm.min ⁻¹	3000	3000
Working travel	mm	depends on clamping device	depends on clamping device
Toolposts			
Standard toolpost		4-way toolpost	4-way toolpost
Max. tool size	mm	32×25	40×25
Quick change toolpost		MultiSuisse C*	MultiSuisse C*
Tool size	mm	32	40
Tailstock			
Tailstock sleeve internal taper		MORSE 5	MORSE 6
Tailstock sleeve diameter	mm	80	100
Tailstock sleeve travel	mm	180	240
Tailstock control	mm	manual	manual/tailstock tow*
Cross resetting	mm	±12	±10
Threads			
Metric threads – number/pitch	Nr./mm	29/0,5–40	29/0,5–40
Whitworth threads – number/pitch	Nr./TPI	38/1–80	38/1–80
Modular threads – number/pitch	Nr./mm	26/0,25–20	26/0,25–20
Diametral Pitch threads – number/number of DP threads	Nr./Nr.	31/2–72	31/2–72
Machine dimensions			
Height	mm	1525	1635
Width	mm	1100	1275
Length/Weight			
1000	mm/kg	2595/2300	–
1500	mm/kg	3095/2400	3515/3090
2000	mm/kg	3595/2600	4015/3250
3000	mm/kg	–	5015/3620
4000	mm/kg	–	6015/3890

* optional execution

